

THE INTEGRIX™ STANDARD

HIGHER DEFINITION IMAGE QUALITY

- » Quality German SCHOTT and Japanese OHARA Glass
- » Multi-coated Lenses for Optimal Scratch Resistance and to Minimize Glare and Reflection
- » Advanced 92% Light Transmission
- » Striking Edge-to-edge Clarity with High Contrast Resolution
- » Superior Wide-angle Field of View
- » Smooth, Consistent, and Accurate Zoom Cam Curve

READY FOR WHEN AND WHERE IT COUNTS

- » IPX7 Waterproof Rated with -40°F to 160°F Operational Range
- » .338 LAPUA Magnum Caliber Rated
- » Red and Green Reticle Illumination
- » 12 Hour Automatic Shutoff
- » Guaranteed for Life

TAILORED ERGONOMICS

- » Intuitive Push/Pull Lockable and Zero Resettable Windage and Elevation Turrets
- » Predictable, Tactile, and Audible Click Values
- » Serrated Turrets, Power Ring, and Eyepiece Diopter Optimized for Gloved Use
- » Optional Throw Lever Included

**SUPERIOR QUALITY.
RUGGED PERFORMANCE.**



**VIVID DETAIL.
THIS IS INTEGRIX™**

INTEGRIX™ CHALLENGING WHAT'S STANDARD.

A CRITICAL DECISION MADE OFTEN BY SHOOTERS IS WHAT OPTIC TO PICK FOR THEIR FIREARMS. IT IS A DECISION, ONE OF INTEGRITY AND INTELLIGENCE TO JUSTIFY WHAT WE CONSIDER TO BE QUALITY.

THE VOICE OF THE CUSTOMER HAS SPOKEN. LEAPERS HAS LISTENED, AND LISTENED WITH DECADES OF ATTENTION AS WELL AS PERSISTENT R&D. WE HAVE LEARNED THAT QUALITY OPTICS ACHIEVE OPTIMAL PERFORMANCE ONLY WHEN SUPERIOR OPTICAL DESIGN AND MECHANICAL PRECISION INTEGRATE SEAMLESSLY UNDER THE STRICTEST TOLERANCE CONTROL. WHEN SUCH STANDARDS ARE MET AT THE MANUFACTURING LEVEL, OUR CUSTOMERS' DREAMS COME TRUE.

LEAPERS BRINGS TO THE FOREFRONT OF SHOOTERS, THE CULMINATION OF INTEGRATED AND INTELLIGENT OPTICAL DESIGN AND MANUFACTURING. **THIS IS INTEGRIX™.**

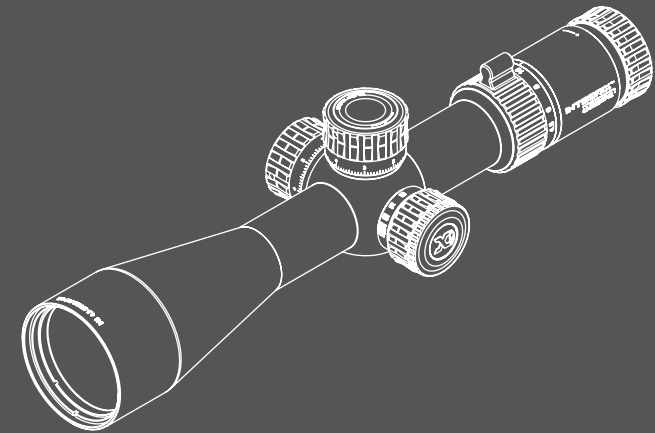
SUPERIOR WIDE ANGLE FIELD OF VIEW
QUALITY GERMAN SCHOTT & JAPANESE OHARA GLASS
STRIKING EDGE-TO-EDGE CLARITY & RESOLUTION
SHARP 92% LIGHT TRANSMISSION
TOUGH RATED FOR .338 LAPUA MAGNUM

LEAPERS, INC.

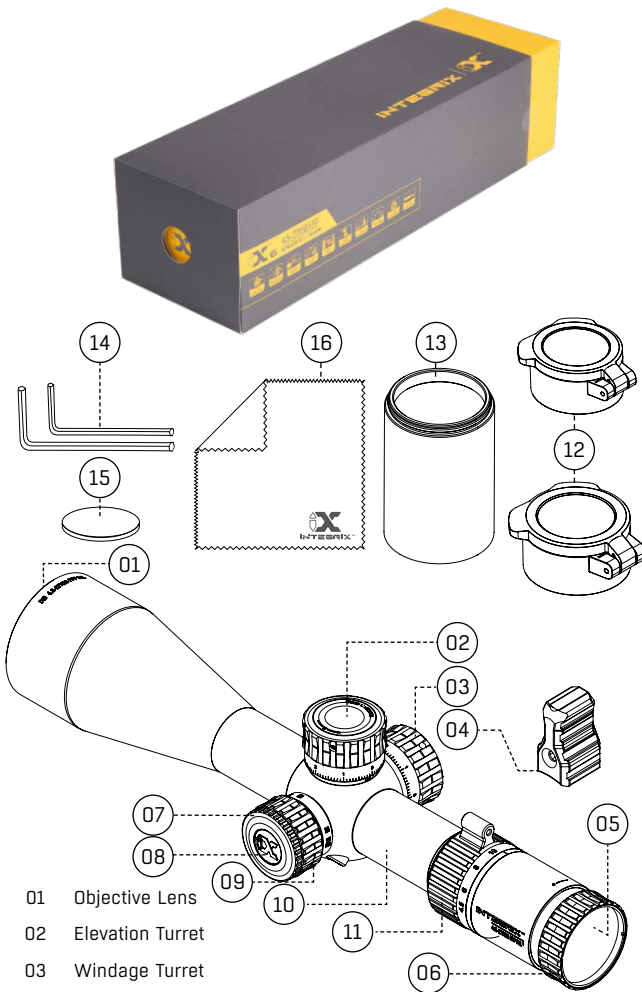
HEADQUARTERED IN MICHIGAN, USA
WWW.LEAPERS.COM



**INTEGRIX™
CHALLENGING WHAT'S STANDARD.**



4.5-27X56 FFP
MI MRAD RETICLE / 56MM / iXB45FM
(M2, M3 RETICLE AVAILABLE)



- 01 Objective Lens
- 02 Elevation Turret
- 03 Windage Turret
- 04 Throw Lever (Included)
- 05 Ocular Lens
- 06 Diopter Adjustment Ring
- 07 Battery Compartment (Button Cell CR2032)
- 08 Side Illumination Toggle
- 09 Side Parallax Adjustment Turret
- 10 Scope Body
- 11 Magnification Adjustment Ring
- 12 Flip-open Lens Caps (Included)
- 13 Sunshade (Included)
- 14 Hex Wrenches (2 mm & 1.5 mm) (Included)
- 15 CR2032 Battery (Included)
- 16 Cleaning Cloth (Included)



Note: Scope depicted is for illustration purposes and may not represent your actual product and its featured components.

X⁶ 4.5-27X56 FFP

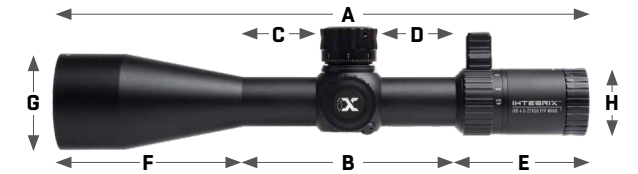
MI MRAD RETICLE / 56MM / iX645FM1
(M2, M3 RETICLE AVAILABLE)

READY FOR WHEN AND WHERE IT COUNTS

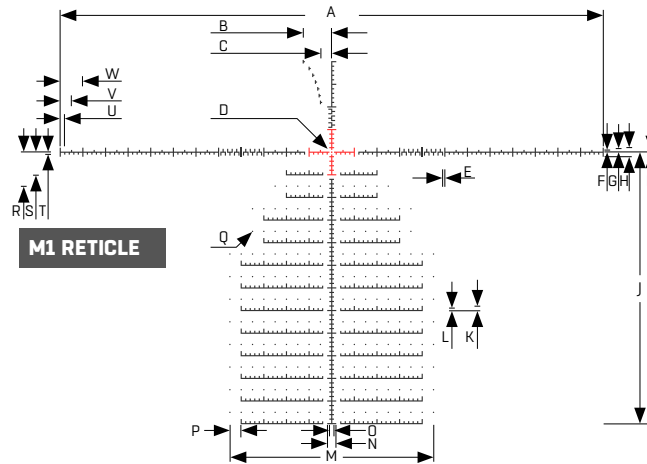
| STRUCTURE SPECIFICATIONS | |
|------------------------------------|---|
| Magnification | Low Power: 4.5 / High Power: 27 |
| Focal Plane | First Focal Plane |
| Parallax | 30 yds - Infinity |
| Reticle Type | MRAD |
| Reticle Pattern | M1 Reticle (M2, M3 Reticle Available) |
| Daylight Visible Reticle | Yes |
| Illuminated Color | Red / Green, 8 Levels for Each Color |
| Brightness Setting | Integrated with Side A.D. Press / Positive Logical Stop |
| Auto Shutoff Feature | 12 Hours |
| Battery Type | CR2032 3V |
| Click Value | 0.1 MRAD |
| Elevation Travel | 20 MRAD Up, 4 MRAD Down |
| Windage Travel | 5 MRAD Right, 5 MRAD Left |
| Elevation Turret Locking | Pull to Unlock / Push to Lock |
| Windage Turret Locking | Pull to Unlock / Push to Lock |
| Waterproof | IPX7 Waterproof (1 Meter for 30 Minutes) |
| Recoil Proof | .338 Lapua Magnum & .308 Caliber Rated |
| Fog Proof | Nitrogen Purged |
| Temperature Operating Range | -40°C to +70°C / -40°F to +160°F |
| Country of Manufacture | Taiwan |

HIGHER DEFINITION IMAGE QUALITY

| OPTICAL SPECIFICATIONS | | |
|-------------------------------------|-------------------------------------|------------|
| | Low Power | High Power |
| Magnification | 4.5 | 27 |
| Angular FOV | 4.8° | 0.8° |
| Linear FOV @100 yds | 25.1' | 4.2' |
| Linear FOV @100 m | 8.4 m | 1.4 m |
| Exit Pupil Diameter | 11 mm | 2.1 mm |
| Eye Relief | 3.94" / 100 mm | |
| Parallax | 30 yds - Infinity | |
| Diopter Adjustment | -3D - +2D | |
| Lens Coating | Multi-layer Anti-reflection Coating | |
| Light Transmission | 92% | |
| Effective Objective Diameter | 56 mm | |



| DIMENSIONS | | |
|---|---------|---------|
| Overall Length (A) | 13.98" | 355 mm |
| Eyepiece Bell to Objective Bell Length (B) | 5.71" | 145 mm |
| Objective Bell to Turret Length (C) | 1.97" | 50 mm |
| Eyepiece Bell to Turret Length (D) | 1.97" | 50 mm |
| Ocular Tube Length (E) | 3.46" | 88 mm |
| Objective Tube Length (F) | 4.84" | 123 mm |
| Objective Diameter (G) | 2.56" | 65 mm |
| Eyepiece Diameter (H) | 1.81" | 46 mm |
| Tube Diameter | 1.34" | 34 mm |
| Elevation Turret Height | 1.0" | 25.5 mm |
| Windage Turret Height | 1.0" | 25.5 mm |
| Parallax/Illumination Turret Height | 0.94" | 24 mm |
| Elevation Turret Diameter | 1.57" | 40 mm |
| Windage Turret Diameter | 1.57" | 40 mm |
| Parallax/Illumination Turret Diameter | 1.50" | 38 mm |
| Weight | 35.1 oz | 996 g |



| RETICLE BREAKDOWN | | | | | | | | | | | |
|-------------------|-----|------|-----|------|------|-----|------|-----|-----|-----|---|
| Unit | A | D | E | F | G | H | I | J | K | L | M |
| MRAD | 24 | 0.05 | 0.1 | 0.1 | 0.15 | 0.4 | 0.03 | 12 | 0.2 | 0.1 | 9 |
| Unit | N | O | P | Q | R | S | T | U | V | W | |
| MRAD | 0.4 | 0.2 | 0.5 | 0.05 | 1.5 | 1 | 0.1 | 0.2 | 0.5 | 1 | |

| 18 INCH TARGET RANGING | | | |
|------------------------|----|------------------------|----|
| Unit | B | Unit | C |
| Inch@400 Yards | 18 | Inch@1000 Yards | 18 |