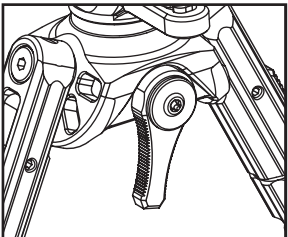


# UTG®

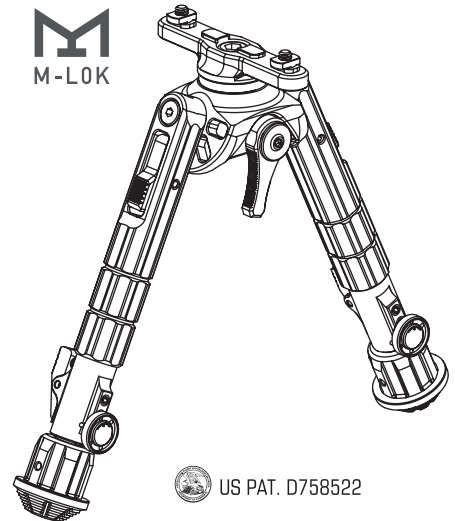
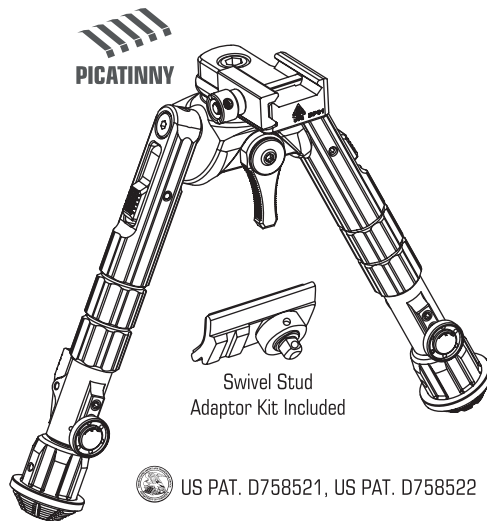
## RECON 360® TL BIPODS

### USER MANUAL

#### USER CONFIGURABLE TENSION ADJUSTMENT



The RECON 360° TL features a tension adjustment lever that controls the felt resistance or tension that is applied when panning and tilting. The tension adjustment range and the distance the lever must be thrown is user configurable.

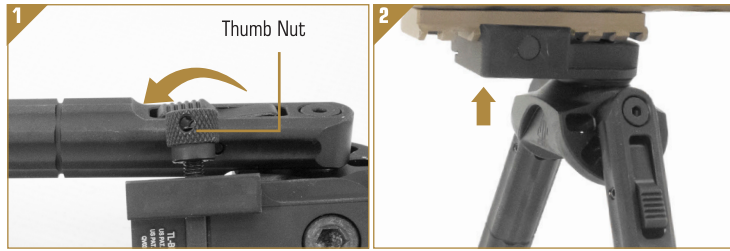


#### SWIVEL STUD ADAPTOR INSTALLATION



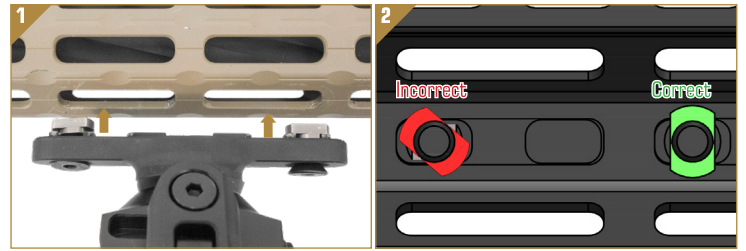
Refer to the **PICATINNY MOUNT INSTALLATION** to install the bipod on the rail provided on the Swivel Stud Mount.

## PICATINNY MOUNT INSTALLATION



Loosen the Thumb Nut enough for the mount's squared cross bolt to seat evenly into the desired Picatinny slot. Once seated, securely tighten the Thumb Nut.

## M-LOK® MOUNT INSTALLATION



Position the T-Nut as shown to the left and correctly seat the base into the corresponding M-LOK® slots. Make sure the base is seated evenly.

While holding the base firmly in place, use the supplied Hex wrench to turn the two Hex screws clockwise until both M-LOK® T-Nuts are perpendicular to the M-LOK® Slots and begin to engage the handguard. Continue until tightened. Recommended torque value: 30in-lbs.

## TENSION ADJUSTMENT LEVER - FINE TUNING



While holding the lever in place, use a T15 Torx wrench to remove the screw and lever cap.



Pull the lever out and rotate the exposed hex nut clockwise to increase and counterclockwise to decrease the amount of tension applied by the lever.

Reinstall lever to test lever tension. We recommend adjusting until max tension is achieved when the lever points straight down.



With max tension achieved, reinstall the lever with it pointing straight down.

Using the T15 Torx wrench, reinstall the lever cap and screw. Recommended torque value is 15in-lbs.

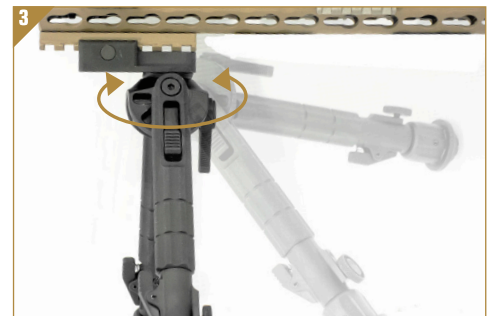
## 3 POSITION FOLDING



Press down and hold the Posi-lock release.



Turn the bipod leg to the desired position, releasing the Posi-lock once done to lock the bipod leg into place.



To position the legs to face rearward and away from the muzzle rotate the base along its panning axis 180 degrees.

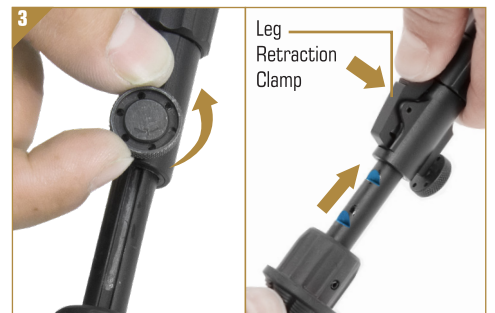
## LEG EXTENSION/RETRACTION



Make sure the Locking Thumb Wheel is fully released by turning it counter-clockwise.



Extend the bipod leg by pulling it out of the leg housing. Set it at any of the pre-cut extension notches. Tighten the Locking Thumb Wheel by turning it clockwise to lock the leg.



To retract the bipod leg, loosen the Locking Thumb Wheel first. Press down the Leg Retraction Clamp before you push the extended leg upward into the housing.