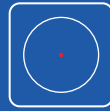




8 Brightness Intensity Settings



30,000+ Hours Battery Life



3 MOA Red Dot



IPX7 Waterproof

QUICK TO ACQUIRE AND SHOOTER CONFIGURABLE

- » Low Profile Quick Release (QR) Mount with Tool-free Tension Adjustment
- » Configured for a Lower 1/3 Co-witness and Mini ACOG® Footprint Compatible
- » Snag-free Flush Turrets with Crisp 1 MOA per Click Adjustment at 100 Yards
- » Multi-coated Lens with Wide 20 mm Field of View

RELIABLE PERFORMANCE

- » IPX7 Waterproof Rated
- » Operation Range from -40°F to 158°F
- » Recoil Rated Up to .450 Bushmaster
- » Squared Recoil Stops for A Secure and Repeatable Zero
- » Locking Quick Release Lever Prevents Inadvertent Release

DURABLE CONSTRUCTION

- » Precision Machined Matte Black Anodized 6061-T6 Aluminum Construction
- » Reinforced Main Body and Recessed Windage and Elevation Turrets
- » Impact Resistant Tempered Glass Lens

LEAPERS, INC.

HEADQUARTERED IN MICHIGAN, USA
WWW.LEAPERS.COM

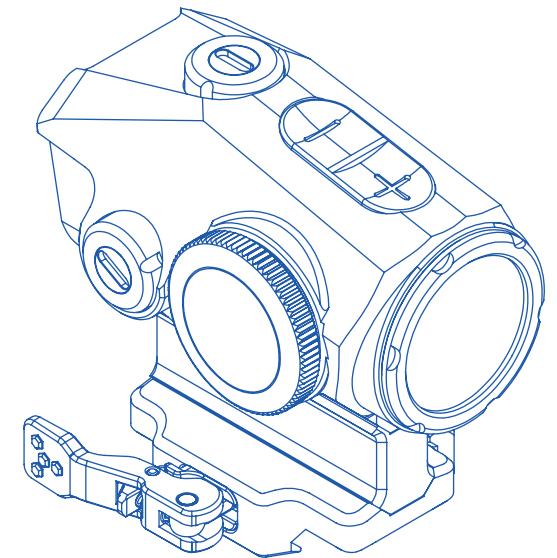
PROVIDING OPTICS & SHOOTING SPORTS ACCESSORIES SINCE 1992

ACCURACY SYNCHRONIZED
ACCU-SYNC™

2521R DOT SIGHT 3 MOA RED DOT

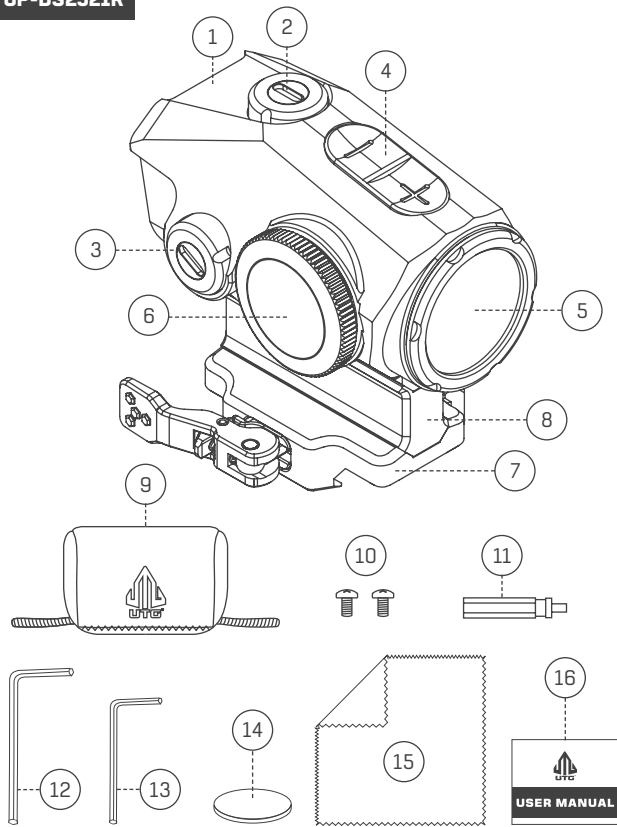
OP-DS2521R

UTG®



LEAPERS, INC.

QP-DS2521R



- 01 Dot Sight Main Body
- 02 Elevation Turret
- 03 Windage Turret
- 04 Illumination Toggle
- 05 Tempered Glass Lens
- 06 Battery Compartment
- 07 QR (Quick Release) Low Profile Picatinny Mount
- 08 1/3 Co-Witness Riser
- 09 Dot Sight Cover
- 10 2x Low Profile Mount Installation Screws (M5x0.8)
- 11 Flat Head W/E Adjustment Tool
- 12 3mm Hex Wrench
- 13 T25 Torx Wrench
- 14 CR2032 Battery
- 15 Cleaning Cloth
- 16 Dot Sight Manual



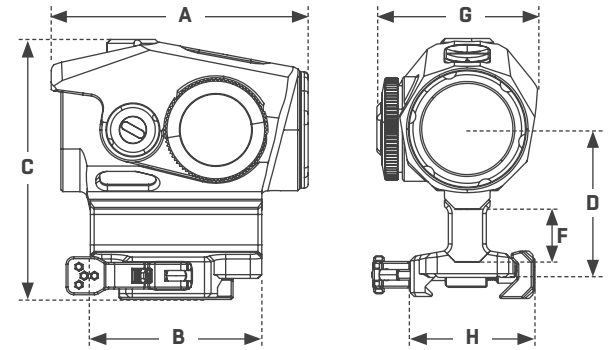
Note: Product depicted is for illustration purposes and may not represent your actual product and its featured components.



ACCU-SYNC™ 2521R DOT SIGHT 3 MOA RED DOT

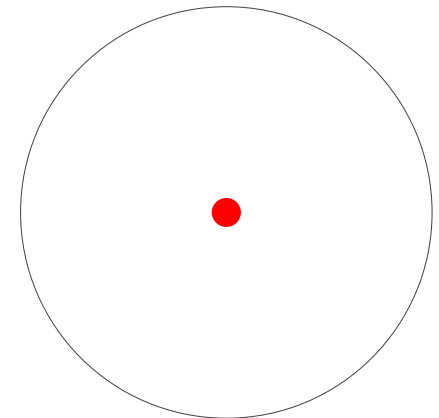
STRUCTURAL SPECIFICATIONS	
Magnification	1X
Objective Lens Diameter	20 mm
Parallax	Free
Eye Relief	Infinity
Reticle Type	Single Dot
Dot Size	3 MOA
Dot Color	Red
Brightness Settings	8
Auto Shutoff	2 Hrs
Illumination Switch Type	+/- Digital
Battery Type	CR2032
Battery Life	30,000 Hrs
Click Value Per Click	1 MOA
Elevation Travel	200 MOA
Windage Travel	200 MOA
Main Body Material	6061-T6
Footprint	Mini ACOG
Mounting Method	Quick Release Picatinny
Temperature Operating Range	-40°C - +70°C
Waterproof	IPX7
Fog Proof	Yes
Recoil Rated	Up to .450BM
Weight	189g
Mount Screw Spec	M5x0.8, T20
Torque Specification	25 inch-lb

OPTICAL SPECIFICATIONS	
Magnification	1X
Angular FOV	3.77°
Linear FOV @ 100 yds	19.75'
Linear FOV @ 100 m	6.02 m
Parallax	Free
Eye Relief	Infinity
Lens Coating	AR Coating
Clear Aperture Lens Diameter	19.44 mm
Effective Focal Length	43 mm



DIMENSIONS		
Overall Length (A)	2.66"	67.56 mm
Mounting Deck Length (B)	1.78"	45.21 mm
Overall Height (C)	2.69"	68.32 mm
1/3 Co-witness Center Height (D)	2.74"	69.60 mm
Low Mount Center Height (E)	2.20"	55.88 mm
Riser Block Height (F)	0.54"	13.72 mm
Overall Width (G)	1.66"	42.46 mm
Mounting Deck Width (H)	1.27"	32.26 mm
Weight	6.67 oz	189 g

RED 3.0 MOA SINGLE DOT RETICLE



RETICLE BREAKDOWN

Distance (Yards)	25	50	75	100	200	300
Dot Size by Linear Distance (Inch)	0.79"	1.57"	2.36"	3.14"	6.28"	9.42"